

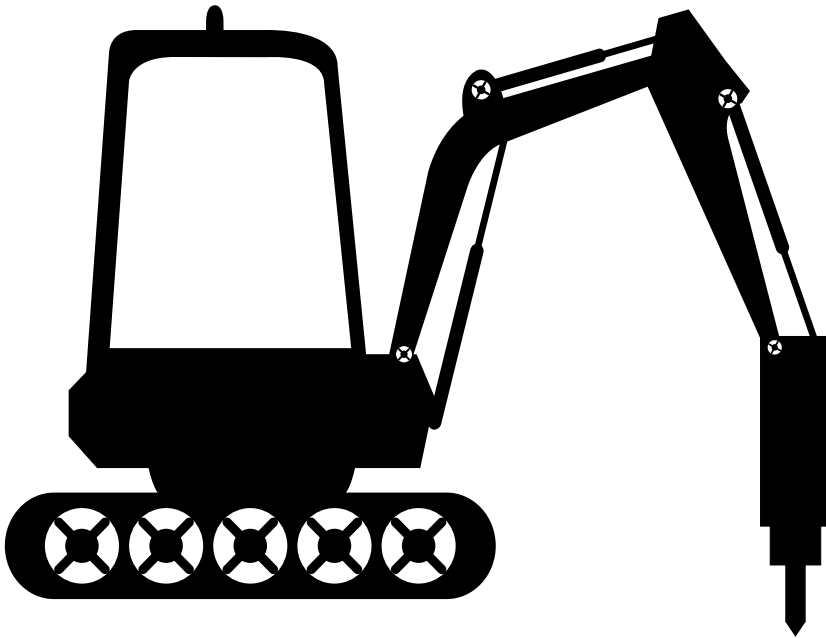
# (ARTIC SEALS)

HYDRAULIC BREAKERS

## DATA SHEET

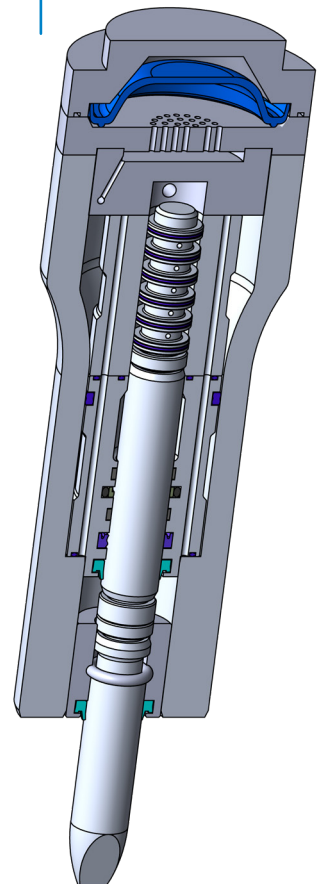


# APPLICATION

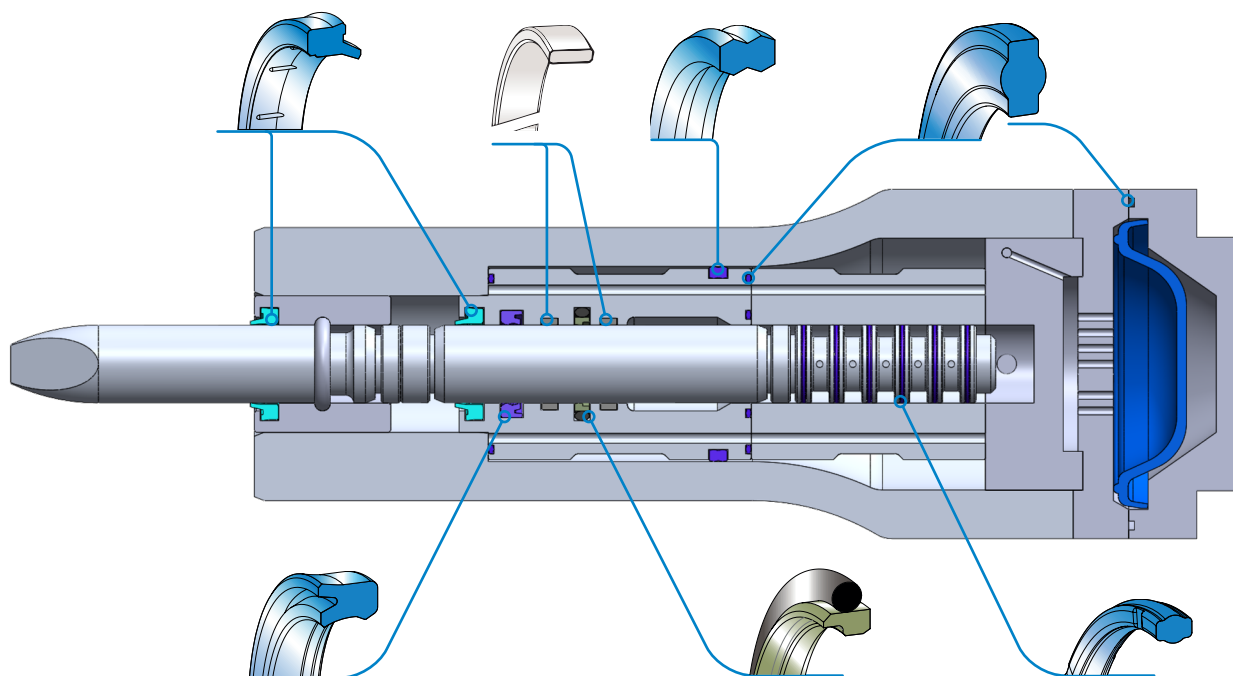


## Operating Conditions





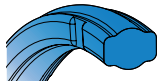


Max. Pressure	400 [bar]
Average speed	<0,5 [m/s]
Temperature	from -35°C to + 100°C



# SEAL KIT



## GUARNIZIONI SEALS

PROFILE	ARTIC SEALS REF.	TYPE	MATERIAL	MATERIAL CODE
	<b>RSB</b>	Rod Seal	TPU 94 Shore A	<b>Co</b>
	<b>TSS</b>	Rod Seal	PTFE+ Bronze NBR	<b>TN</b>
	<b>HIS</b>	Wear Ring	POM+GLASS FIBER	<b>Ro</b>
	<b>WSL</b>	Wiper	TPE 55 Shore D	<b>L8</b>
	<b>OR ANT®</b>	O-Ring Antirolling ®	TPU 94 Shore A	<b>Co</b>
	<b>OR ANT® frontal</b>	Frontal O-Ring Antirolling ®	TPU 94 Shore A	<b>Co</b>
	<b>MBN</b>	Rubber or polyurethane diaphragm	TPU 94 Shore A NBR 70Shore A	<b>Co / No</b>

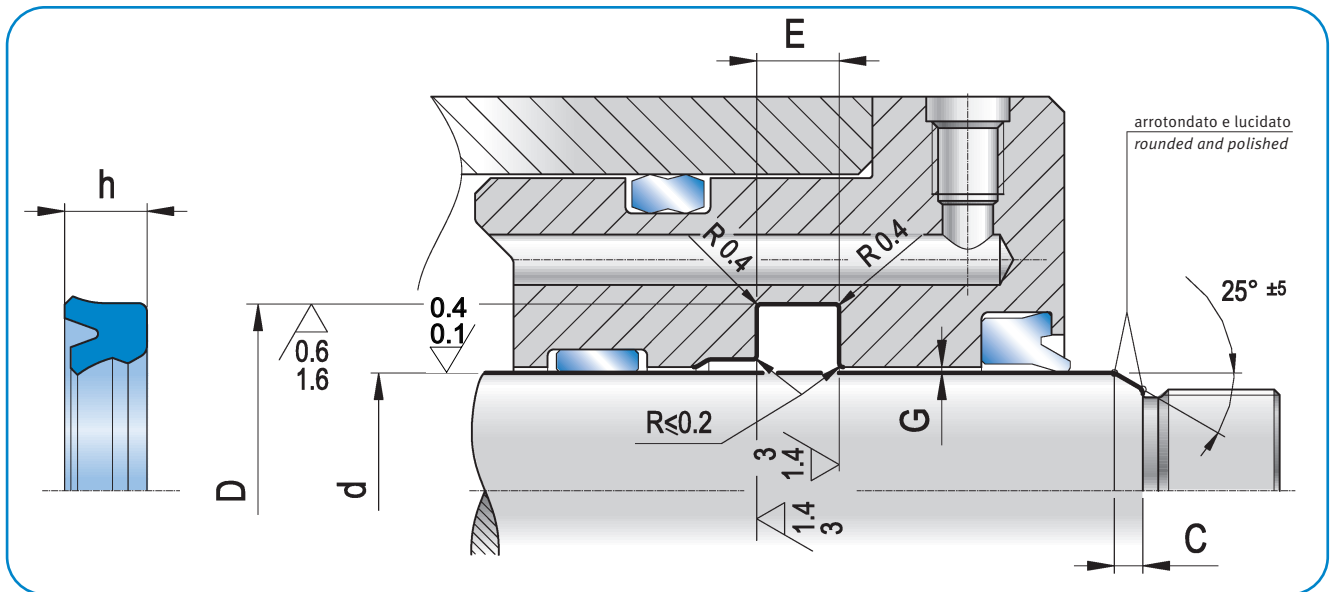
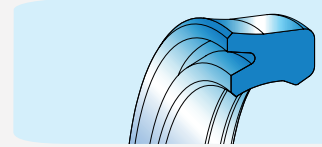
# MATERIALS

CODICE CODE	DESCRIZIONE DESCRIPTION	IDENTIFICA- ZIONE COLORE COLOUR IDEN- TIFICATION	APPLICAZIONE TIPICA E DESCRIZIONE TYPICAL APPLICATIONS & DESCRIPTION	SERVICE TEMPERATURE RANGE °C (F°) SERVICE TEMPERATURE RANGE °C (F°)	SHORE HARDNESS SHORE HARDNESS	
					A	D
<b>CO</b>	Caprolactone-based thermoplastic polyurethane.	Violet	Exceptional performance in terms of compression set, wear resistance and hydrolysis resistance over conventional polyester-based TPUs. Material produced by Kasting.	-35 to +110	94	
<b>RO</b>	POM homopolymer 20% glass fiber filled	Black	High stiffness, low warpage and low creep for superior performance at elevated temperature. It contains carbon black for improved weathering. Primary application is Hydraulic wearing.	-40°C to +115		85
<b>L8</b>	Thermoplastic polyester elastomer	Turquoise	Mainly used for production of anti-extrusion rings. It shows extended resistance to extrusion and excellent fluid compatibility.	-30 to +130 (Peaks till -50 to +150)		55
<b>TM</b>	PTFE Bronze Filled (40%)	Green	High compressive load and extrusion resistance, ideal for hydraulic rod/piston seals.	-150 +260		58 - 65
<b>NO</b>	NBR 70 Sh	Black	General purpose nitrile rubber, ideal for soft seals like standard O-ring energizing element for PTFE sealing system	-30 +100	70	



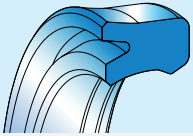
# ROD SEAL

# RSB



dh9	DH10	h	E+0,2	C	ART / ITEM
6,0	14,0	5,7	6,3	3,5	RSB 0060 0140 057 C0
8,0	16,0	5,7	6,3	3,5	RSB 0080 0160 057 C0
10,0	18,0	5,7	6,3	3,5	RSB 0100 0180 057 C0
10,0	20,0	7,0	8,0	4,5	RSB 0100 0200 070 C0
12,0	17,0	3,6	4,0	3,5	RSB 0120 0170 036 C0
12,0	19,0	5,0	5,6	3,5	RSB 0120 0190 050 C0
12,0	20,0	5,7	6,3	4,0	RSB 0120 0200 057 C0
12,0	22,0	7,0	8,0	4,5	RSB 0120 0220 070 C0
12,0	22,0	8,0	9,0	4,5	RSB 0120 0220 080 C0
14,0	20,0	5,8	6,3	4,0	RSB 0140 0200 058 C0
14,0	21,0	5,0	5,6	4,0	RSB 0140 0210 050 C0
14,0	22,0	5,7	6,3	4,0	RSB 0140 0220 057 C0
14,0	24,0	7,3	8,0	4,5	RSB 0140 0240 073 C0
15,0	21,0	5,0	6,0	3,5	RSB 0150 0210 050 C0
15,0	23,0	5,7	6,3	4,0	RSB 0150 0230 057 C0
16,0	20,6	3,3	4,0	3,0	RSB 0160 0206 033 C0
16,0	22,0	5,0	6,0	3,5	RSB 0160 0220 050 C0
16,0	24,0	5,7	6,3	4,0	RSB 0160 0240 057 C0
16,0	26,0	7,3	8,0	4,5	RSB 0160 0260 073 C0
18,0	25,0	5,0	5,6	3,5	RSB 0180 0250 050 C0
18,0	26,0	6,3	7,0	3,5	RSB 0180 0260 063 C0
18,0	26,0	5,7	6,3	4,0	RSB 0180 0260 057 C0
18,0	28,0	7,3	8,0	4,5	RSB 0180 0280 073 C0
20,0	26,0	5,0	6,0	3,5	RSB 0200 0260 050 C0
20,0	28,0	4,3	5,0	4,0	RSB 0200 0280 043 C0
20,0	28,0	5,0	6,0	4,0	RSB 0200 0280 050 C0
20,0	28,0	5,7	6,3	4,0	RSB 0200 0280 057 C0
20,0	30,0	7,3	8,0	4,5	RSB 0200 0300 073 C0
20,0	32,0	7,5	8,5	4,5	RSB 0200 0320 075 C0
22,0	28,0	5,0	6,0	3,5	RSB 0220 0280 050 C0

dh9	DH10	h	E+0,2	C	ART / ITEM
22,0	29,0	5,0	5,6	3,5	RSB 0220 0290 050 C0
22,0	30,0	5,5	6,0	4,5	RSB 0220 0300 055 C0
22,0	30,0	5,7	6,3	4,5	RSB 0220 0300 057 C0
22,0	30,0	6,2	7,0	4,5	RSB 0220 0300 062 C0
22,0	32,0	7,3	8,0	4,5	RSB 0220 0320 073 C0
25,0	33,0	5,7	6,3	4,0	RSB 0250 0330 057 C0
25,0	33,0	6,0	7,0	4,5	RSB 0250 0330 060 C0
25,0	33,0	7,3	8,0	4,5	RSB 0250 0330 073 C0
25,0	35,0	7,3	8,0	4,5	RSB 0250 0350 073 C0
25,0	35,0	10,0	11,0	4,5	RSB 0250 0350 100 C0
26,0	34,0	5,7	6,3	4,0	RSB 0260 0340 057 C0
28,0	36,0	5,7	6,3	4,0	RSB 0280 0360 057 C0
28,0	36,0	7,3	8,0	4,0	RSB 0280 0360 073 C0
28,0	38,0	5,7	6,3	4,5	RSB 0280 0380 057 C0
28,0	38,0	7,3	8,0	4,5	RSB 0280 0380 073 C0
28,0	38,0	8,0	9,0	4,5	RSB 0280 0380 080 C0
28,0	43,0	11,5	12,5	5,0	RSB 0280 0430 115 C0
30,0	38,0	5,7	6,3	4,0	RSB 0300 0380 057 C0
30,0	38,0	6,0	7,0	4,5	RSB 0300 0380 060 C0
30,0	40,0	6,0	7,0	4,5	RSB 0300 0400 060 C0
30,0	40,0	7,3	8,0	4,5	RSB 0300 0400 073 C0
30,0	40,0	8,0	9,0	4,5	RSB 0300 0400 080 C0
32,0	39,0	3,5	4,5	4,0	RSB 0320 0390 035 C0
32,0	40,0	5,7	6,3	4,0	RSB 0320 0400 057 C0
32,0	40,0	6,0	7,0	4,0	RSB 0320 0400 060 C0
32,0	40,0	6,7	7,7	4,0	RSB 0320 0400 067 C0
32,0	42,0	5,7	6,3	4,5	RSB 0320 0420 057 C0
32,0	42,0	6,0	7,0	4,5	RSB 0320 0420 060 C0
32,0	42,0	7,3	8,0	4,5	RSB 0320 0420 073 C0
35,0	42,0	7,0	8,0	4,0	RSB 0350 0420 070 C0

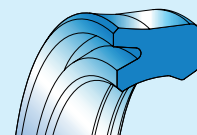


# RSB

d <sub>H9</sub>	D <sub>H10</sub>	h	E <sub>+0,2</sub>	C	ART / ITEM
35,0	43,0	5,7	6,3	4,0	RSB 0350 0430 057 C0
35,0	43,0	6,0	7,0	5,0	RSB 0350 0430 060 C0
35,0	45,0	6,0	7,0	5,0	RSB 0350 0450 060 C0
35,0	45,0	6,7	7,7	5,0	RSB 0350 0450 067 C0
35,0	45,0	7,0	8,0	5,0	RSB 0350 0450 070 C0
35,0	45,0	7,3	8,0	5,0	RSB 0350 0450 073 C0
35,0	45,0	8,0	9,0	5,0	RSB 0350 0450 080 C0
35,0	45,0	12,0	13,0	5,0	RSB 0350 0450 120 C0
35,0	50,0	9,0	10,0	5,5	RSB 0350 0500 090 C0
36,0	44,0	5,7	6,3	4,5	RSB 0360 0440 057 C0
36,0	44,0	6,3	7,0	4,5	RSB 0360 0440 063 C0
36,0	46,0	7,0	8,0	5,0	RSB 0360 0460 070 C0
36,0	46,0	7,3	8,0	5,0	RSB 0360 0460 073 C0
36,0	46,0	8,0	9,0	5,0	RSB 0360 0460 080 C0
37,0	47,0	7,2	8,0	5,0	RSB 0370 0470 072 C0
38,0	48,0	8,0	9,0	5,0	RSB 0380 0480 080 C0
40,0	48,0	5,7	6,3	4,5	RSB 0400 0480 057 C0
40,0	50,0	6,0	7,0	4,5	RSB 0400 0500 060 C0
40,0	50,0	7,0	8,0	5,0	RSB 0400 0500 070 C0
40,0	50,0	7,3	8,0	5,0	RSB 0400 0500 073 C0
40,0	50,0	10,0	11,0	5,0	RSB 0400 0500 100 C0
40,0	52,0	8,0	9,0	5,5	RSB 0400 0520 080 C0
40,0	55,0	10,0	11,0	5,5	RSB 0400 0550 100 C0
40,0	55,0	11,5	12,5	5,5	RSB 0400 0550 115 C0
40,0	55,0	9,0	10,0	5,5	RSB 0400 0550 090 C0
40,0	56,0	6,0	7,0	5,5	RSB 0400 0550 090 C0
42,0	50,0	8,0	9,0	4,5	RSB 0420 0500 080 C0
42,0	50,0	11,5	12,5	4,5	RSB 0420 0500 115 C0
42,0	53,0	9,0	10,0	5,0	RSB 0420 0530 090 C0
45,0	53,0	5,7	6,3	4,5	RSB 0450 0530 057 C0
45,0	53,0	10,0	11,0	4,5	RSB 0450 0530 100 C0
45,0	53,0	11,5	12,5	4,5	RSB 0450 0530 115 C0
45,0	55,0	5,7	6,3	5,0	RSB 0450 0550 057 C0
45,0	55,0	6,0	7,0	4,5	RSB 0450 0550 060 C0
45,0	55,0	7,3	8,0	5,0	RSB 0450 0550 073 C0
45,0	55,0	11,5	12,5	5,0	RSB 0450 0550 115 C0
45,0	60,0	11,5	12,5	5,5	RSB 0450 0600 115 C0
46,0	56,0	10,0	11,0	5,0	RSB 0460 0560 100 C0
48,0	56,0	11,5	12,5	4,5	RSB 0480 0560 115 C0
48,0	56,0	12,0	13,0	4,5	RSB 0480 0560 120 C0
50,0	57,0	7,3	8,0	4,5	RSB 0500 0570 073 C0
50,0	57,0	10,0	11,0	4,5	RSB 0500 0570 100 C0
50,0	58,0	6,0	7,0	4,5	RSB 0500 0580 060 C0
50,0	58,0	11,5	12,5	4,5	RSB 0500 0580 115 C0
50,0	58,9	5,8	6,5	5,0	RSB 0500 0589 058 C0
50,0	59,0	10,0	11,0	5,0	RSB 0500 0590 100 C0
50,0	60,0	6,0	7,0	4,5	RSB 0500 0600 060 C0
50,0	60,0	7,3	8,0	5,0	RSB 0500 0600 073 C0

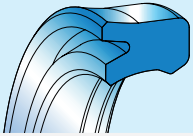
d <sub>H9</sub>	D <sub>H10</sub>	h	E <sub>+0,2</sub>	C	ART / ITEM
50,0	60,0	10,0	11,0	5,0	RSB 0500 0600 100 C0
50,0	65,0	9,0	10,0	5,5	RSB 0500 0650 090 C0
50,0	65,0	10,0	11,0	5,5	RSB 0500 0650 100 C0
50,0	65,0	11,5	12,5	5,5	RSB 0500 0650 115 C0
50,0	70,0	10,0	11,0	6,0	RSB 0500 0700 100 C0
50,0	70,0	12,0	13,0	7,0	RSB 0500 0700 120 C0
51,0	61,0	6,0	7,0	4,5	RSB 0510 0610 060 C0
52,0	62,0	7,2	8,0	4,5	RSB 0520 0620 072 C0
55,0	63,0	11,5	12,5	4,5	RSB 0550 0630 115 C0
55,0	65,0	6,0	7,0	4,5	RSB 0550 0650 060 C0
55,0	65,0	7,3	8,0	5,0	RSB 0550 0650 073 C0
55,0	65,0	8,5	9,5	5,0	RSB 0550 0650 085 C0
55,0	65,0	10,0	11,0	5,0	RSB 0550 0650 100 C0
55,0	68,0	10,0	11,0	5,0	RSB 0550 0680 100 C0
55,0	70,0	9,0	10,0	5,5	RSB 0550 0700 090 C0
55,0	75,0	12,0	13,0	5,0	RSB 0550 0750 120 C0
56,0	66,0	6,0	7,0	5,0	RSB 0560 0660 060 C0
56,0	71,0	5,6	6,3	5,0	RSB 0560 0660 060 C0
56,0	71,0	9,0	10,0	5,5	RSB 0560 0710 090 C0
56,0	71,0	10,0	11,0	5,5	RSB 0560 0710 100 C0
56,0	71,0	11,5	12,5	5,5	RSB 0560 0710 115 C0
56,0	76,0	15,0	16,0	6,0	RSB 0560 0760 150 C0
60,0	68,0	11,5	12,5	4,5	RSB 0600 0680 115 C0
60,0	70,0	6,0	7,0	5,0	RSB 0600 0700 060 C0
60,0	70,0	7,3	8,0	5,0	RSB 0600 0700 073 C0
60,0	70,0	10,0	11,0	5,0	RSB 0600 0700 100 C0
60,0	70,0	11,5	12,5	5,0	RSB 0600 0700 115 C0
60,0	73,0	10,0	11,0	5,5	RSB 0600 0730 100 C0
60,0	75,0	9,0	10,0	5,5	RSB 0600 0750 090 C0
60,0	75,0	10,0	11,0	5,5	RSB 0600 0750 100 C0
60,0	75,0	11,5	12,5	5,5	RSB 0600 0750 115 C0
60,0	80,0	12,0	13,0	7,0	RSB 0600 0800 120 C0
63,0	73,0	6,0	7,0	5,0	RSB 0630 0730 060 C0
63,0	73,0	12,0	13,0	5,0	RSB 0630 0730 120 C0
63,0	78,0	10,0	11,0	5,5	RSB 0630 0780 100 C0
63,0	78,0	11,5	12,5	5,5	RSB 0630 0780 115 C0
63,0	83,0	12,0	13,0	7,0	RSB 0630 0830 120 C0
63,0	83,0	15,0	16,0	7,0	RSB 0630 0830 150 C0
65,0	73,0	11,5	12,5	4,5	RSB 0650 0730 115 C0
65,0	75,0	6,0	7,0	5,0	RSB 0650 0750 060 C0
65,0	75,0	7,0	8,0	5,5	RSB 0650 0750 070 C0
65,0	75,0	7,3	8,0	5,0	RSB 0650 0750 073 C0
65,0	75,0	10,0	11,0	5,0	RSB 0650 0750 100 C0
65,0	75,0	12,0	13,0	5,5	RSB 0650 0750 120 C0
65,0	78,0	10,0	11,0	5,5	RSB 0650 0780 100 C0
65,0	80,0	9,0	10,0	5,5	RSB 0650 0800 090 C0
65,0	80,0	11,5	12,5	5,5	RSB 0650 0800 115 C0
65,0	85,0	12,0	13,0	7,0	RSB 0650 0850 120 C0

# RSB



d <sub>h9</sub>	D <sub>H10</sub>	h	E <sub>+0,2</sub>	C	ART / ITEM
66,3	76,3	11,5	12,5	5,0	RSB 0663 0763 115 C0
67,0	75,0	11,5	12,5	5,0	RSB 0670 0750 115 C0
67,0	77,0	6,0	7,0	5,0	RSB 0670 0770 060 C0
68,0	78,0	7,3	8,0	5,0	RSB 0680 0780 073 C0
70,0	78,0	11,5	12,5	4,5	RSB 0700 0780 115 C0
70,0	80,0	6,0	7,0	5,0	RSB 0700 0800 060 C0
70,0	80,0	7,3	8,0	5,5	RSB 0700 0800 073 C0
70,0	80,0	11,5	12,5	5,0	RSB 0700 0800 115 C0
70,0	83,0	10,0	11,0	5,5	RSB 0700 0830 100 C0
70,0	85,0	9,0	10,0	5,5	RSB 0700 0850 090 C0
70,0	85,0	10,0	11,0	5,5	RSB 0700 0850 100 C0
70,0	85,0	11,5	12,5	6,0	RSB 0700 0850 115 C0
70,0	90,0	12,0	13,0	7,0	RSB 0700 0900 120 C0
70,0	90,0	15,0	16,0	7,0	RSB 0700 0900 150 C0
71,0	81,0	6,0	7,0	5,0	RSB 0710 0810 060 C0
71,0	81,0	8,0	9,0	5,0	RSB 0710 0810 080 C0
75,0	83,0	7,0	8,0	5,0	RSB 0750 0830 070 C0
75,0	83,0	11,5	12,5	5,0	RSB 0750 0830 115 C0
75,0	85,0	6,0	7,0	5,5	RSB 0750 0850 060 C0
75,0	85,0	10,0	11,0	5,5	RSB 0750 0850 100 C0
75,0	85,0	11,5	12,5	5,5	RSB 0750 0850 115 C0
75,0	88,0	10,0	11,0	5,5	RSB 0750 0880 100 C0
75,0	90,0	9,0	10,0	5,5	RSB 0750 0900 090 C0
75,0	90,0	11,5	12,5	6,0	RSB 0750 0900 115 C0
75,0	95,0	12,0	13,0	7,0	RSB 0750 0950 120 C0
77,0	87,0	7,2	8,0	5,0	RSB 0770 0870 072 C0
78,0	86,0	11,5	12,5	5,0	RSB 0780 0860 115 C0
80,0	88,0	11,5	12,5	5,0	RSB 0800 0880 115 C0
80,0	89,6	5,8	6,5	5,5	RSB 0800 0896 058 C0
80,0	90,0	6,0	7,0	5,5	RSB 0800 0900 060 C0
80,0	90,0	7,3	8,0	5,5	RSB 0800 0900 073 C0
80,0	90,0	10,0	11,0	5,5	RSB 0800 0900 100 C0
80,0	93,0	10,0	11,0	5,5	RSB 0800 0930 100 C0
80,0	95,0	9,0	10,0	6,0	RSB 0800 0950 090 C0
80,0	95,0	10,0	11,0	6,0	RSB 0800 0950 100 C0
80,0	95,0	11,5	12,5	6,0	RSB 0800 0950 115 C0
80,0	100,0	12,0	13,0	7,0	RSB 0800 1000 120 C0
80,0	100,0	15,0	16,0	7,0	RSB 0800 1000 150 C0
85,0	93,0	11,5	12,5	5,0	RSB 0850 0930 115 C0
85,0	100,0	9,0	10,0	6,0	RSB 0850 1000 090 C0
85,0	100,0	10,0	11,0	6,0	RSB 0850 1000 100 C0
85,0	100,0	11,5	12,5	6,0	RSB 0850 1000 115 C0
85,0	105,0	12,0	13,0	7,0	RSB 0850 1050 120 C0
90,0	98,0	11,5	12,5	5,0	RSB 0900 0980 115 C0
90,0	100,0	7,3	8,0	5,5	RSB 0900 1000 073 C0
90,0	100,0	11,5	12,5	5,5	RSB 0900 1000 115 C0
90,0	105,0	9,0	10,0	6,0	RSB 0900 1050 090 C0
90,0	105,0	10,0	11,0	6,0	RSB 0900 1050 100 C0

d <sub>h9</sub>	D <sub>H10</sub>	h	E <sub>+0,2</sub>	C	ART / ITEM
90,0	105,0	11,5	12,5	6,0	RSB 0900 1050 115 C0
90,0	110,0	12,0	13,0	7,0	RSB 0900 1100 120 C0
90,0	110,0	15,0	16,0	7,0	RSB 0900 1100 150 C0
93,0	101,0	11,5	12,5	5,0	RSB 0930 1010 115 C0
95,0	103,0	11,5	12,5	5,0	RSB 0950 1030 115 C0
95,0	105,0	12,0	13,0	5,5	RSB 0950 1050 120 C0
95,0	110,0	9,0	10,0	7,0	RSB 0950 1100 090 C0
95,0	110,0	10,0	11,0	6,0	RSB 0950 1100 100 C0
95,0	115,0	12,0	13,0	7,0	RSB 0950 1150 120 C0
95,0	115,0	13,5	14,5	5,5	RSB 0950 1150 135 C0
97,0	105,0	11,5	12,5	5,0	RSB 0970 1050 115 C0
100,0	108,0	11,5	12,5	5,5	RSB 1000 1080 115 C0
100,0	115,0	9,0	10,0	6,0	RSB 1000 1150 090 C0
100,0	115,0	10,0	11,0	6,0	RSB 1000 1150 100 C0
100,0	115,0	12,0	13,0	6,0	RSB 1000 1150 120 C0
100,0	120,0	11,8	13,0	7,0	RSB 1000 1200 118 C0
100,0	120,0	12,0	13,0	7,0	RSB 1000 1200 120 C0
100,0	120,0	15,0	16,0	7,0	RSB 1000 1200 150 C0
105,0	113,0	11,5	12,5	5,0	RSB 1050 1130 115 C0
105,0	115,0	11,5	12,5	5,5	RSB 1050 1150 115 C0
105,0	120,0	9,0	10,0	6,0	RSB 1050 1200 090 C0
105,0	120,0	10,0	11,0	6,0	RSB 1050 1200 100 C0
105,0	125,0	12,0	13,0	7,0	RSB 1050 1250 120 C0
106,0	121,0	9,0	10,0	6,0	RSB 1060 1210 090 C0
106,0	121,0	10,0	11,0	6,0	RSB 1060 1210 100 C0
110,0	118,0	11,5	12,5	5,0	RSB 1100 1180 115 C0
110,0	125,0	9,0	10,0	6,0	RSB 1100 1250 090 C0
110,0	125,0	9,6	10,6	6,0	RSB 1100 1250 096 C0
110,0	125,0	10,0	11,0	6,0	RSB 1100 1250 100 C0
110,0	130,0	10,0	11,0	7,0	RSB 1100 1300 100 C0
110,0	130,0	12,0	13,0	7,0	RSB 1100 1300 120 C0
110,0	130,0	15,0	16,0	7,0	RSB 1100 1300 150 C0
110,0	135,0	19,0	20,0	8,0	RSB 1100 1350 190 C0
112,0	127,0	9,0	10,0	6,0	RSB 1120 1270 090 C0
112,0	127,0	10,0	11,0	6,0	RSB 1120 1270 100 C0
112,0	125,0	9,0	10,0	5,5	RSB 1120 1250 090 C0
115,0	123,0	11,5	12,5	5,0	RSB 1150 1230 115 C0
115,0	125,0	12,0	13,0	5,5	RSB 1150 1250 120 C0
115,0	130,0	9,0	10,0	6,0	RSB 1150 1300 090 C0
115,0	135,0	12,0	13,0	7,0	RSB 1150 1350 120 C0
118,0	126,0	11,5	12,5	5,0	RSB 1180 1260 115 C0
118,0	133,0	9,0	10,0	6,0	RSB 1180 1330 090 C0
118,0	133,0	10,0	11,0	6,0	RSB 1180 1330 100 C0
120,0	128,0	11,5	12,5	5,0	RSB 1200 1280 115 C0
120,0	135,0	9,0	10,0	6,0	RSB 1200 1350 090 C0
120,0	140,0	10,0	11,0	7,0	RSB 1200 1400 100 C0
120,0	140,0	12,0	13,0	7,0	RSB 1200 1400 120 C0
120,0	140,0	15,0	16,0	7,0	RSB 1200 1400 150 C0



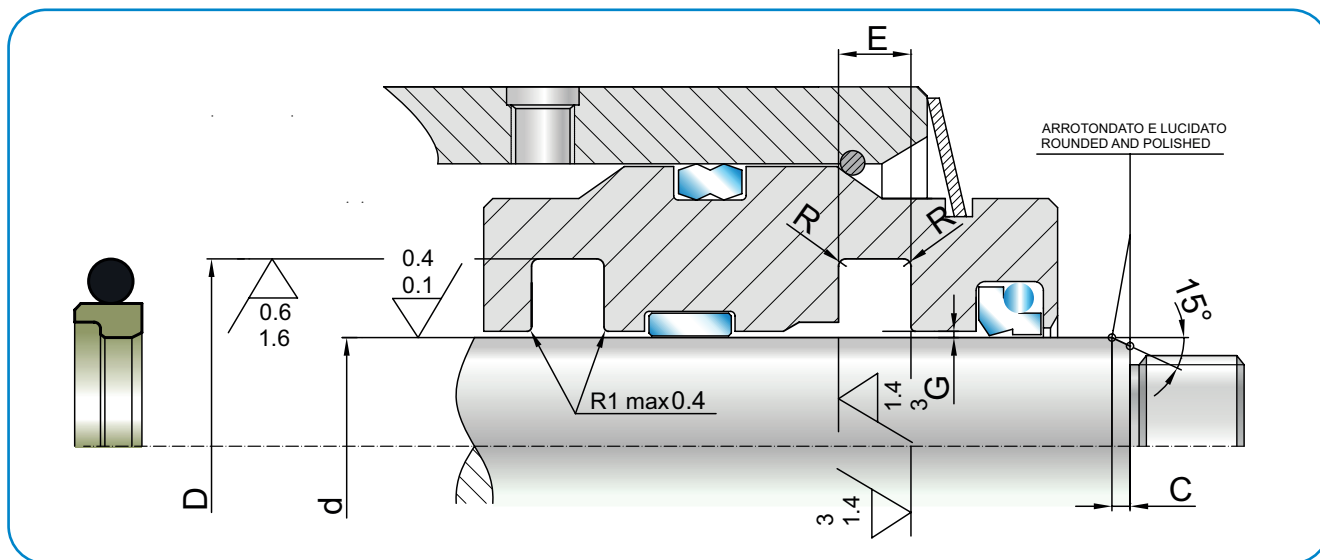
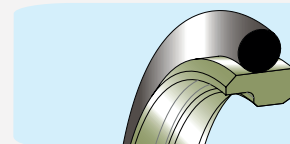
## RSB

d <sub>h9</sub>	D <sub>H10</sub>	h	E <sub>+0,2</sub>	C	ART / ITEM
125,0	133,0	11,5	12,5	5,0	RSB 1250 1330 115 C0
125,0	140,0	9,0	10,0	6,0	RSB 1250 1400 090 C0
125,0	145,0	12,0	13,0	7,0	RSB 1250 1450 120 C0
125,0	145,0	15,0	16,0	7,0	RSB 1250 1450 150 C0
125,0	150,0	19,0	20,0	8,0	RSB 1250 1500 190 C0
128,0	136,0	11,5	12,5	5,0	RSB 1280 1360 115 C0
130,0	145,0	9,0	10,0	6,0	RSB 1300 1450 090 C0
130,0	150,0	12,0	13,0	7,0	RSB 1300 1500 120 C0
130,0	150,0	15,0	16,0	7,0	RSB 1300 1500 150 C0
135,0	143,0	11,5	12,5	5,0	RSB 1350 1430 115 C0
140,0	148,0	11,5	12,5	5,0	RSB 1400 1480 115 C0
140,0	155,0	9,0	10,0	6,0	RSB 1400 1550 090 C0
140,0	155,0	9,6	10,6	6,0	RSB 1400 1550 096 C0
140,0	155,0	10,0	11,0	6,0	RSB 1400 1550 100 C0
140,0	160,0	15,0	16,0	7,0	RSB 1400 1600 150 C0
140,0	165,0	19,0	20,0	8,0	RSB 1400 1650 190 C0
143,0	151,0	11,5	12,5	5,0	RSB 1430 1510 115 C0
150,0	165,0	9,0	10,0	6,0	RSB 1500 1650 090 C0
150,0	170,0	12,0	13,0	7,0	RSB 1500 1700 120 C0
150,0	170,0	15,0	16,0	7,0	RSB 1500 1700 150 C0
152,0	160,0	11,5	12,5	5,0	RSB 1520 1600 115 C0
155,0	163,0	11,5	12,5	5,0	RSB 1550 1630 115 C0
160,0	168,0	11,5	12,5	5,0	RSB 1600 1680 115 C0
170,0	180,0	12,0	13,0	5,0	RSB 1700 1800 120 C0
170,0	190,0	15,0	16,0	7,0	RSB 1700 1900 150 C0
180,0	200,0	15,0	16,0	7,0	RSB 1800 2000 150 C0
180,0	205,0	15,0	16,0	8,0	RSB 1800 2050 150 C0
200,0	225,0	15,0	16,0	8,0	RSB 2000 2250 150 C0

Remark: please contact our technical dept. for further dimensions not included in the catalogue.

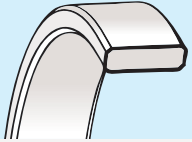
# ROD SEAL

# TSS



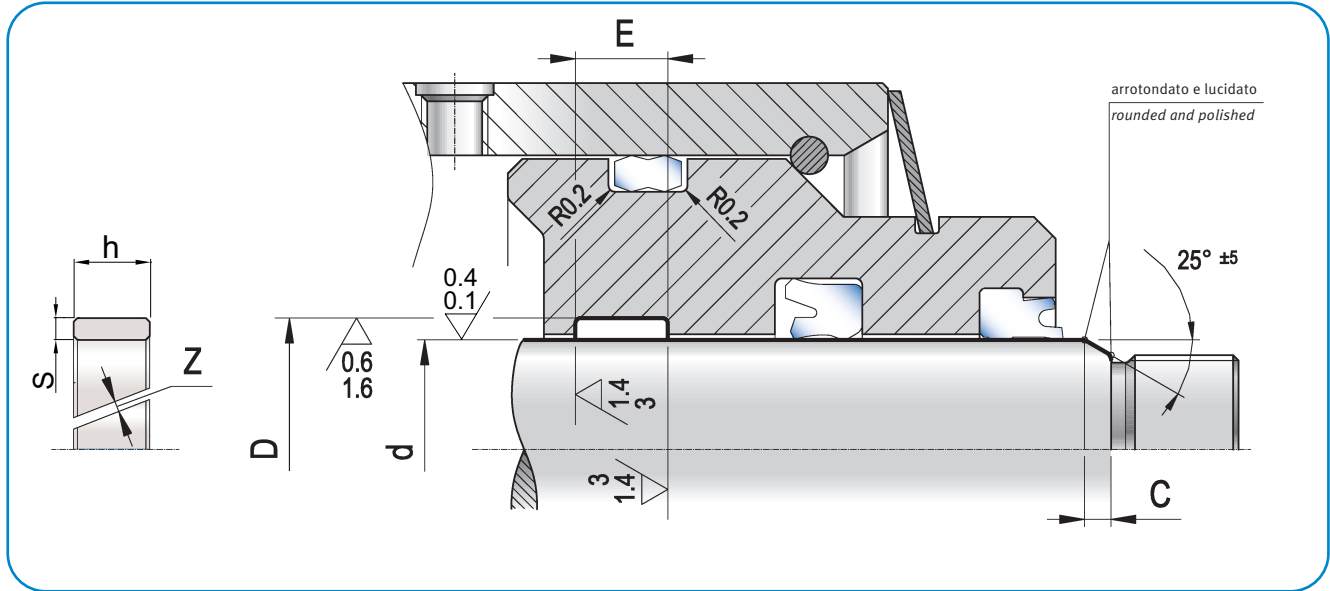
d <sub>h9</sub>	D <sub>H9</sub>	E <sub>+0,2</sub>	O-R	C	ART / ITEM
4,0	8,9	2,20	010	5,0	TSS 0040 0089 022 TN
5,0	9,9	2,20	010	5,0	TSS 0050 099 022 TN
7,0	11,9	2,20	012	5,0	TSS 0070 0119 022 TN
8,0	15,3	3,20	111	5,0	TSS 0080 0153 032 TN
10,0	17,3	3,20	112	5,0	TSS 0100 0173 032 TN
12,0	19,3	3,20	114	5,0	TSS 0120 0193 032 TN
14,0	21,3	3,20	115	5,0	TSS 0140 0213 032 TN
15,0	22,3	3,20	116	5,0	TSS 0150 0223 032 TN
16,0	23,3	3,20	116	5,0	TSS 0160 0233 032 TN
18,0	25,3	3,20	117	5,0	TSS 0180 0253 032 TN
20,0	30,7	4,20	214	5,0	TSS 0200 0307 042 TN
22,0	32,7	4,20	215	5,0	TSS 0220 0327 042 TN
24,0	34,7	4,20	216	5,0	TSS 0240 0347 042 TN
25,0	35,7	4,20	217	5,0	TSS 0250 0357 042 TN
26,0	36,7	4,20	218	5,0	TSS 0260 0367 042 TN
28,0	38,7	4,20	219	5,0	TSS 0280 0387 042 TN
30,0	40,7	4,20	220	5,0	TSS 0300 0407 042 TN
32,0	42,7	4,20	221	5,0	TSS 0320 0427 042 TN
35,0	45,7	4,20	222	5,0	TSS 0350 0457 042 TN
37,0	47,7	4,20	223	5,0	TSS 0370 0477 042 TN
38,0	53,1	6,30	327	5,0	TSS 0380 0531 063 TN
40,0	55,1	6,30	328	5,0	TSS 0400 0551 063 TN
42,0	57,1	6,30	328	5,0	TSS 0420 0571 063 TN
45,0	60,1	6,30	329	5,0	TSS 0450 0601 063 TN
48,0	63,1	6,30	330	5,0	TSS 0480 0631 063 TN
50,0	65,1	6,30	331	5,0	TSS 0500 0651 063 TN
52,0	67,1	6,30	331	5,0	TSS 0520 0671 063 TN
55,0	70,1	6,30	332	5,0	TSS 0550 0701 063 TN
58,0	73,1	6,30	333	5,0	TSS 0580 0731 063 TN
60,0	75,1	6,30	334	5,0	TSS 0600 0751 063 TN

d <sub>h9</sub>	D <sub>H9</sub>	E <sub>+0,2</sub>	O-R	C	ART / ITEM
65,0	80,1	6,30	335	5,0	TSS 0650 0801 063 TN
70,0	85,1	6,30	337	5,0	TSS 0700 0851 063 TN
75,0	90,1	6,30	339	5,0	TSS 0750 0901 063 TN
80,0	95,1	6,30	340	5,0	TSS 0800 0951 063 TN
85,0	100,1	6,30	342	5,0	TSS 0850 1001 063 TN
90,0	105,1	6,30	343	5,0	TSS 0900 1051 063 TN
95,0	110,1	6,30	345	7,0	TSS 0950 1101 063 TN
100,0	115,1	6,30	346	7,0	TSS 1000 1151 063 TN
110,0	125,1	6,30	350	7,0	TSS 1100 1251 063 TN
120,0	135,1	6,30	353	7,0	TSS 1200 1351 063 TN
125,0	140,1	6,30	354	7,0	TSS 1250 1401 063 TN
130,0	145,1	6,30	356	7,0	TSS 1300 1451 063 TN
140,0	155,1	6,30	359	7,0	TSS 1400 1551 063 TN
150,0	165,1	6,30	361	7,0	TSS 1500 1651 063 TN
155,0	170,1	6,30	362	7,0	TSS 1550 1701 063 TN
160,0	175,1	6,30	363	7,0	TSS 1600 1751 063 TN
170,0	185,1	6,30	365	7,0	TSS 1700 1851 063 TN
175,0	190,1	6,30	366	7,0	TSS 1750 1901 063 TN
180,0	195,1	6,30	366	7,0	TSS 1800 1951 063 TN
185,0	200,1	6,30	367	7,0	TSS 1850 2001 063 TN
190,0	205,1	6,30	368	7,0	TSS 1900 2051 063 TN
195,0	210,1	6,30	368	7,0	TSS 1950 2101 063 TN
200,0	220,5	8,10	445	10,0	TSS 2000 2205 081 TN
210,0	230,5	8,10	446	10,0	TSS 2100 2305 081 TN
220,0	240,5	8,10	447	10,0	TSS 2200 2405 081 TN
225,0	245,5	8,10	447	10,0	TSS 2250 2455 081 TN
230,0	250,5	8,10	448	10,0	TSS 2300 2505 081 TN
240,0	260,5	8,10	448	10,0	TSS 2400 2605 081 TN
250,0	270,5	8,10	449	10,0	TSS 2500 2705 081 TN



# HES

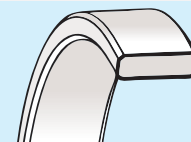
# WEAR RING



$d_{h9}$	$D_{-0}^{+0,05}$	$E_{+0,2}$	C	ART / ITEM
12,0	16,0	9,6	> 3	HIS 0120 0160 096 R0
14,0	18,0	9,6	> 3	HIS 0140 0180 096 R0
16,0	20,0	9,6	> 3	HIS 0160 0200 096 R0
18,0	22,0	9,6	> 3	HIS 0180 0220 096 R0
20,0	24,0	9,6	> 3	HIS 0200 0240 096 R0
20,0	25,0	5,6	> 3	HIS 0200 0250 056 R0
20,0	25,0	9,7	> 3	HIS 0200 0250 097 R0
22,0	26,0	9,6	> 3	HIS 0220 0260 096 R0
22,0	27,0	5,6	> 3	HIS 0220 0270 056 R0
22,0	27,0	9,7	> 3	HIS 0220 0270 097 R0
25,0	29,0	9,6	> 3	HIS 0250 0290 096 R0
25,0	30,0	5,6	> 3	HIS 0250 0300 056 R0
25,0	30,0	9,7	> 3	HIS 0250 0300 097 R0
26,0	30,0	9,6	> 3	HIS 0260 0300 096 R0
27,0	32,0	5,6	> 3	HIS 0270 0320 056 R0
27,0	32,0	9,7	> 3	HIS 0270 0320 097 R0
28,0	32,0	9,6	> 3	HIS 0280 0320 096 R0
28,0	33,0	5,6	> 3	HIS 0280 0330 056 R0
28,0	33,0	9,7	> 3	HIS 0280 0330 097 R0
30,0	34,0	9,6	> 3	HIS 0300 0340 096 R0
30,0	35,0	5,6	> 3	HIS 0300 0350 056 R0
30,0	35,0	9,7	> 3	HIS 0300 0350 097 R0
32,0	36,0	9,6	> 3	HIS 0320 0360 096 R0
32,0	37,0	5,6	> 3	HIS 0320 0370 056 R0

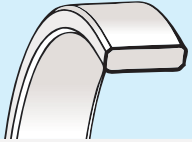
$d_{h9}$	$D_{-0}^{+0,05}$	$E_{+0,2}$	C	ART / ITEM
32,0	37,0	9,7	> 3	HIS 0320 0370 097 R0
35,0	39,0	9,6	> 3	HIS 0350 0390 096 R0
35,0	40,0	5,6	> 3	HIS 0350 0400 056 R0
35,0	40,0	9,7	> 3	HIS 0350 0400 097 R0
36,0	40,0	9,6	> 3	HIS 0360 0400 096 R0
36,0	41,0	5,6	> 3	HIS 0360 0410 056 R0
36,0	41,0	9,7	> 3	HIS 0360 0410 097 R0
38,0	42,0	9,6	> 3	HIS 0380 0420 096 R0
40,0	44,0	9,6	> 3	HIS 0400 0440 096 R0
40,0	45,0	5,6	> 3	HIS 0400 0450 056 R0
40,0	45,0	9,7	> 3	HIS 0400 0450 097 R0
40,0	45,0	15,0	> 3	HIS 0400 0450 150 R0
42,0	46,0	9,6	> 3	HIS 0420 0460 096 R0
42,0	48,0	9,6	> 3	HIS 0420 0480 096 R0
43,0	48,0	5,6	> 3	HIS 0430 0480 056 R0
45,0	50,0	5,6	> 3	HIS 0450 0500 056 R0
45,0	50,0	9,7	> 3	HIS 0450 0500 097 R0
45,0	50,0	15,0	> 3	HIS 0450 0500 150 R0
45,0	51,0	9,6	> 3	HIS 0450 0510 096 R0
46,0	52,0	9,6	> 3	HIS 0460 0520 096 R0
47,0	52,0	5,6	> 3	HIS 0470 0520 056 R0
47,0	52,0	9,7	> 3	HIS 0470 0520 097 R0
48,0	54,0	9,6	> 3	HIS 0480 0540 096 R0
50,0	55,0	5,6	> 3	HIS 0500 0550 056 R0

# HES



$d_{h9}$	$D_{-0, +0,05}$	$E_{+0,2}$	C	ART / ITEM
50,0	55,0	9,7	> 3	HIS 0500 0550 097 R0
50,0	55,0	15,0	> 3	HIS 0500 0550 150 R0
50,0	56,0	9,6	> 3	HIS 0500 0560 096 R0
52,0	57,0	9,7	> 3	HIS 0520 0570 097 R0
55,0	60,0	5,6	> 3	HIS 0550 0600 056 R0
55,0	60,0	9,7	> 3	HIS 0550 0600 097 R0
55,0	60,0	15,0	> 3	HIS 0550 0600 150 R0
55,0	61,0	9,6	> 3	HIS 0550 0610 096 R0
56,0	61,0	5,6	> 3	HIS 0560 0610 056 R0
56,0	61,0	9,7	> 3	HIS 0560 0610 097 R0
56,0	62,0	12,8	> 3	HIS 0560 0620 128 R0
58,0	63,0	5,6	> 3	HIS 0580 0630 056 R0
58,0	63,0	9,7	> 3	HIS 0580 0630 097 R0
60,0	65,0	5,6	> 3	HIS 0600 0650 056 R0
60,0	65,0	9,7	> 3	HIS 0600 0650 097 R0
60,0	65,0	15,0	> 3	HIS 0600 0650 150 R0
60,0	66,0	12,8	> 3	HIS 0600 0660 128 R0
63,0	68,0	5,6	> 3	HIS 0630 0680 056 R0
63,0	68,0	9,7	> 3	HIS 0630 0680 097 R0
63,0	69,0	12,8	> 3	HIS 0630 0690 128 R0
65,0	70,0	5,6	> 3	HIS 0650 0700 056 R0
65,0	70,0	9,7	> 3	HIS 0650 0700 097 R0
65,0	70,0	15,0	> 3	HIS 0650 0700 150 R0
65,0	71,0	12,8	> 3	HIS 0650 0710 128 R0
67,0	72,0	5,6	> 3	HIS 0670 0720 056 R0
70,0	75,0	5,6	> 3	HIS 0700 0750 056 R0
70,0	75,0	9,7	> 3	HIS 0700 0750 097 R0
70,0	75,0	15,0	> 3	HIS 0700 0750 150 R0
70,0	76,0	30,0	> 3	HIS 0700 0760 300 R0
70,0	76,0	12,8	> 3	HIS 0700 0760 128 R0
72,0	78,0	12,8	> 3	HIS 0720 0780 128 R0
75,0	80,0	5,6	> 4	HIS 0750 0800 056 R0
75,0	80,0	9,7	> 4	HIS 0750 0800 097 R0
75,0	80,0	15,0	> 4	HIS 0750 0800 150 R0
75,0	81,0	12,8	> 4	HIS 0750 0810 128 R0
76,0	82,0	12,8	> 4	HIS 0760 0820 128 R0
80,0	85,0	5,6	> 4	HIS 0800 0850 056 R0
80,0	85,0	9,7	> 4	HIS 0800 0850 097 R0
80,0	85,0	15,0	> 4	HIS 0800 0850 150 R0
80,0	86,0	12,8	> 4	HIS 0800 0860 128 R0
85,0	90,0	5,6	> 4	HIS 0850 0900 056 R0
85,0	90,0	9,7	> 4	HIS 0850 0900 097 R0
85,0	90,0	15,0	> 4	HIS 0850 0900 150 R0
85,0	91,0	12,8	> 4	HIS 0850 0910 128 R0
90,0	95,0	5,6	> 4	HIS 0900 0950 056 R0

$d_{h9}$	$D_{-0, +0,05}$	$E_{+0,2}$	C	ART / ITEM
90,0	95,0	9,7	> 4	HIS 0900 0950 097 R0
90,0	95,0	15,0	> 4	HIS 0900 0950 150 R0
90,0	96,0	12,8	> 4	HIS 0900 0960 128 R0
92,0	97,0	5,6	> 4	HIS 0920 0970 056 R0
95,0	100,0	5,6	> 4	HIS 0950 1000 056 R0
95,0	100,0	9,7	> 4	HIS 0950 1000 097 R0
95,0	100,0	15,0	> 4	HIS 0950 1000 150 R0
95,0	100,0	20,0	> 4	HIS 0950 1000 200 R0
95,0	100,0	25,0	> 4	HIS 0950 1000 250 R0
95,0	101,0	12,8	> 4	HIS 0950 1010 128 R0
100,0	105,0	5,6	> 4	HIS 1000 1050 056 R0
100,0	105,0	9,7	> 4	HIS 1000 1050 097 R0
100,0	105,0	15,0	> 4	HIS 1000 1050 150 R0
100,0	105,0	20,0	> 4	HIS 1000 1050 200 R0
100,0	105,0	25,0	> 4	HIS 1000 1050 250 R0
100,0	106,0	12,8	> 4	HIS 1000 1060 128 R0
105,0	110,0	9,7	> 4	HIS 1050 1100 097 R0
105,0	110,0	15,0	> 4	HIS 1050 1100 150 R0
105,0	110,0	20,0	> 4	HIS 1050 1100 200 R0
105,0	110,0	25,0	> 4	HIS 1050 1100 250 R0
105,0	111,0	12,8	> 4	HIS 1050 1110 128 R0
110,0	115,0	9,7	> 4	HIS 1100 1150 097 R0
110,0	115,0	15,0	> 4	HIS 1100 1150 150 R0
110,0	115,0	20,0	> 4	HIS 1100 1150 200 R0
110,0	115,0	25,0	> 4	HIS 1100 1150 250 R0
110,0	116,0	12,8	> 4	HIS 1100 1160 128 R0
115,0	120,0	9,7	> 4	HIS 1150 1200 097 R0
115,0	120,0	15,0	> 4	HIS 1150 1200 150 R0
115,0	120,0	20,0	> 4	HIS 1150 1200 200 R0
115,0	120,0	25,0	> 4	HIS 1150 1200 250 R0
115,0	121,0	12,8	> 4	HIS 1150 1210 128 R0
120,0	125,0	9,7	> 4	HIS 1200 1250 097 R0
120,0	125,0	15,0	> 4	HIS 1200 1250 150 R0
120,0	125,0	20,0	> 4	HIS 1200 1250 200 R0
120,0	125,0	25,0	> 4	HIS 1200 1250 250 R0
120,0	126,0	12,8	> 4	HIS 1200 1260 128 R0
125,0	130,0	9,7	> 4	HIS 1250 1300 097 R0
125,0	130,0	15,0	> 4	HIS 1250 1300 150 R0
125,0	130,0	20,0	> 4	HIS 1250 1300 200 R0
125,0	130,0	25,0	> 4	HIS 1250 1300 250 R0
125,0	131,0	12,8	> 4	HIS 1250 1310 128 R0
130,0	135,0	15,0	> 4	HIS 1300 1350 150 R0
130,0	135,0	20,0	> 4	HIS 1300 1350 200 R0
130,0	135,0	25,0	> 4	HIS 1300 1350 250 R0
130,0	136,0	12,8	> 4	HIS 1300 1360 128 R0



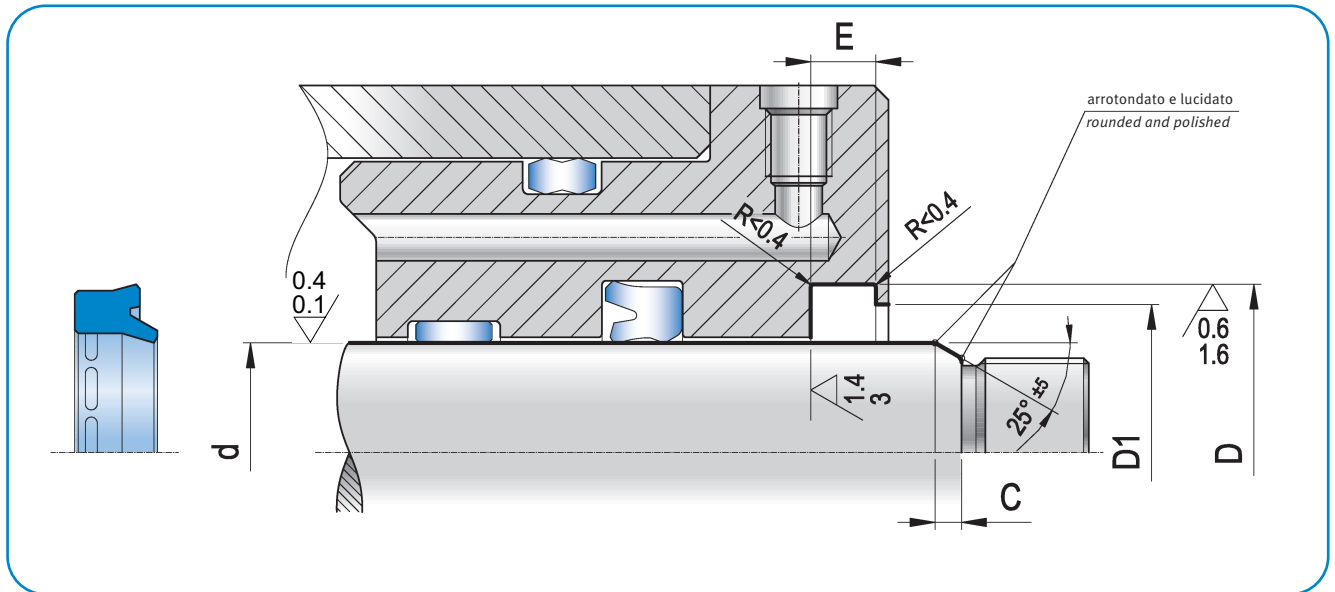
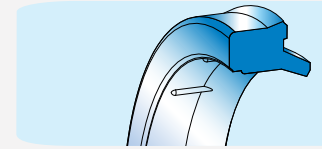
## HES

$d_{h9}$	$D_{-0, +0,05}$	$E_{+0,2}$	C	ART / ITEM
135,0	140,0	15,0	> 4	HIS 1350 1400 150 R0
135,0	140,0	20,0	> 4	HIS 1350 1400 200 R0
135,0	140,0	25,0	> 4	HIS 1350 1400 250 R0
135,0	141,0	12,8	> 4	HIS 1350 1410 128 R0
140,0	145,0	15,0	> 4	HIS 1400 1450 150 R0
140,0	145,0	20,0	> 4	HIS 1400 1450 200 R0
140,0	145,0	25,0	> 4	HIS 1400 1450 250 R0
140,0	146,0	12,8	> 4	HIS 1400 1460 128 R0
145,0	150,0	9,7	> 4	HIS 1450 1500 097 R0
145,0	150,0	15,0	> 4	HIS 1450 1500 150 R0
145,0	150,0	20,0	> 4	HIS 1450 1500 200 R0
145,0	150,0	25,0	> 4	HIS 1450 1500 250 R0
145,0	151,0	12,8	> 4	HIS 1450 1510 128 R0
150,0	155,0	15,0	> 4	HIS 1500 1550 150 R0
150,0	156,0	12,8	> 4	HIS 1500 1560 128 R0
155,0	161,0	19,2	> 4	HIS 1550 1610 192 R0
160,0	166,0	19,2	> 5	HIS 1600 1660 192 R0
165,0	171,0	19,2	> 5	HIS 1650 1710 192 R0

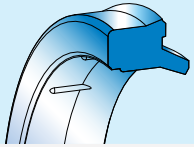
$d_{h9}$	$D_{-0, +0,05}$	$E_{+0,2}$	C	ART / ITEM
170,0	176,0	19,2	> 5	HIS 1700 1760 192 R0
175,0	181,0	19,2	> 5	HIS 1750 1810 192 R0
180,0	186,0	19,2	> 5	HIS 1800 1860 192 R0
185,0	191,0	19,2	> 5	HIS 1850 1910 192 R0
190,0	196,0	19,2	> 5	HIS 1900 1960 192 R0
195,0	201,0	19,2	> 5	HIS 1950 2100 192 R0
200,0	206,0	19,2	> 5	HIS 2000 2060 192 R0
205,0	211,0	19,2	> 5	HIS 2050 2110 192 R0
210,0	216,0	19,2	> 5	HIS 2100 2160 192 R0
215,0	221,0	19,2	> 5	HIS 2150 2210 192 R0
220,0	226,0	19,2	> 5	HIS 2200 2260 192 R0
225,0	231,0	19,2	> 5	HIS 2250 2310 192 R0
230,0	236,0	19,2	> 5	HIS 2300 2360 192 R0
235,0	241,0	19,2	> 5	HIS 2350 2410 192 R0
240,0	246,0	19,2	> 5	HIS 2400 2460 192 R0
245,0	251,0	19,2	> 5	HIS 2450 2510 192 R0

# WIPER

# WSL



$d_{h9}$	$D_{H10}$	$E_{+0,2}$	$D_{1\ 0/+0,2}$	ART / ITEM			
5,0	12,0	2,8	8,0	WSL 0050	0120	028	L8
6,0	12,0	3,0	9,0	WSL 0060	0120	030	L8
8,0	14,6	3,8	11,0	WSL 0080	0146	038	L8
10,0	15,0	1,0	13,0	WSL 0100	0150	010	L8
10,0	16,6	3,8	13,0	WSL 0100	0166	038	L8
12,0	18,6	3,8	15,0	WSL 0120	0186	038	L8
13,0	19,6	3,8	16,0	WSL 0130	0196	038	L8
14,0	20,6	3,8	17,0	WSL 0140	0206	038	L8
15,0	21,6	3,8	18,0	WSL 0150	0216	038	L8
16,0	22,6	3,8	19,0	WSL 0160	0226	038	L8
18,0	24,6	3,8	21,0	WSL 0180	0246	038	L8
20,0	28,6	5,3	23,0	WSL 0200	0286	053	L8
22,0	30,6	5,3	25,0	WSL 0220	0306	053	L8
24,0	32,6	5,3	27,0	WSL 0240	0326	053	L8
25,0	33,6	5,3	28,0	WSL 0250	0336	053	L8
26,0	34,6	5,3	29,0	WSL 0260	0346	053	L8
28,0	36,0	5,0	31,0	WSL 0280	0360	050	L8
28,0	36,6	5,3	31,0	WSL 0280	0366	053	L8
30,0	38,0	5,3	33,0	WSL 0300	0380	053	L8
30,0	38,6	5,3	33,0	WSL 0300	0386	053	L8
32,0	40,0	5,0	35,0	WSL 0320	0400	050	L8
32,0	40,6	5,3	35,0	WSL 0320	0406	053	L8
35,0	43,6	5,3	38,0	WSL 0350	0436	053	L8
36,0	44,6	5,3	39,0	WSL 0360	0446	053	L8
38,0	46,6	5,3	41,0	WSL 0380	0466	053	L8
40,0	48,6	5,3	43,0	WSL 0400	0486	053	L8
40,0	50,0	5,0	43,0	WSL 0400	0500	050	L8



# WSL

d <sub>h9</sub>	D <sub>H10</sub>	E <sub>+0,2</sub>	D <sub>1 0/+0,2</sub>	ART / ITEM				
40,0	50,0	5,3	43,0	WSL	0400	0500	053	L8
45,0	53,6	5,3	48,0	WSL	0450	0536	053	L8
45,0	55,0	5,3	48,0	WSL	0450	0550	053	L8
46,0	54,6	5,3	49,0	WSL	0460	0546	053	L8
50,0	58,0	5,3	53,0	WSL	0500	0580	053	L8
50,0	58,6	5,3	53,0	WSL	0500	0586	053	L8
50,0	60,0	5,3	53,0	WSL	0500	0600	053	L8
55,0	63,6	5,3	58,0	WSL	0550	0636	053	L8
55,0	65,0	6,3	58,0	WSL	0550	0650	063	L8
55,0	65,6	5,3	58,0	WSL	0550	0656	053	L8
56,0	64,6	5,3	59,0	WSL	0560	0646	053	L8
60,0	68,0	5,3	63,0	WSL	0600	0680	053	L8
60,0	68,6	5,3	63,0	WSL	0600	0686	053	L8
60,0	70,0	5,0	63,0	WSL	0600	0700	050	L8
60,0	70,0	6,3	63,0	WSL	0600	0700	063	L8
61,0	69,6	5,3	64,0	WSL	0610	0696	053	L8
63,0	71,6	5,3	66,0	WSL	0630	0716	053	L8
63,0	71,3	6,0	66,0	WSL	0630	0713	060	L8
65,0	73,6	5,3	68,0	WSL	0650	0736	053	L8
70,0	78,6	5,3	73,0	WSL	0700	0786	053	L8
70,0	80,0	5,0	73,0	WSL	0700	0800	050	L8
70,0	82,2	7,1	76,0	WSL	0700	0822	071	L8
70,0	82,6	7,1	76,0	WSL	0700	0826	071	L8
75,0	83,0	5,3	78,0	WSL	0750	0830	053	L8
75,0	83,6	5,3	78,0	WSL	0750	0836	053	L8
75,0	85,0	6,3	81,0	WSL	0750	0850	063	L8
75,0	87,2	7,1	81,0	WSL	0750	0872	071	L8
76,0	84,6	5,3	79,0	WSL	0760	0846	053	L8
78,0	88,6	5,5	83,0	WSL	0780	0886	053	L8
80,0	88,6	5,3	83,0	WSL	0800	0886	053	L8
80,0	90,0	5,3	83,0	WSL	0800	0900	053	L8
80,0	90,2	7,1	83,0	WSL	0800	0902	071	L8
80,0	92,6	7,1	83,0	WSL	0800	0926	071	L8
85,0	93,6	5,3	88,0	WSL	0850	0936	053	L8
85,0	97,2	7,1	91,0	WSL	0850	0972	071	L8
90,0	98,0	5,3	96,0	WSL	0900	0980	053	L8
90,0	102,2	7,1	96,0	WSL	0900	1022	071	L8
91,0	99,6	5,3	97,0	WSL	0910	0996	053	L8
95,0	107,2	7,1	101,0	WSL	0950	1072	071	L8
97,0	105,6	5,3	103,0	WSL	0970	1056	053	L8
100,0	108,6	5,3	103,0	WSL	1000	1086	053	L8
100,0	112,2	7,1	106,0	WSL	1000	1122	071	L8
105,0	113,0	5,3	108,0	WSL	1050	1130	053	L8
105,0	113,6	5,3	108,0	WSL	1050	1136	053	L8
105,0	117,2	7,1	111,0	WSL	1050	1172	071	L8

# WSL



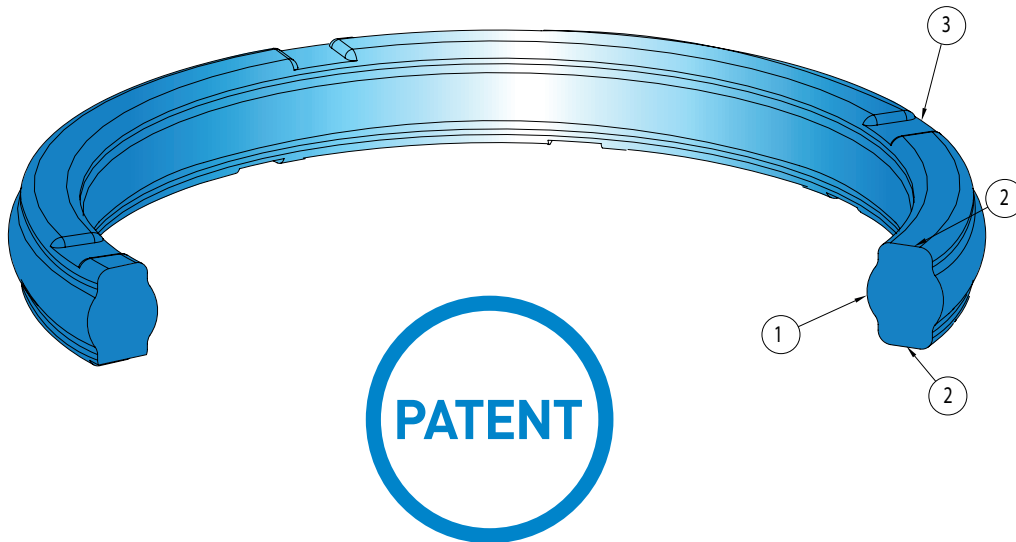
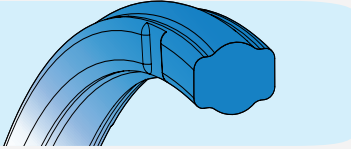
d <sub>h9</sub>	D <sub>H10</sub>	E <sub>+0,2</sub>	D <sub>1 0/+0,2</sub>	ART / ITEM				
107,0	115,6	5,3	110,0	WSL	1070	1156	053	L8
110,0	118,6	5,3	113,0	WSL	1100	1186	053	L8
110,0	122,2	7,1	116,0	WSL	1100	1222	071	L8
115,0	127,2	7,1	121,0	WSL	1150	1272	071	L8
120,0	132,2	7,1	126,0	WSL	1200	1322	071	L8
125,0	137,2	7,1	131,0	WSL	1250	1372	071	L8
126,0	134,6	5,3	129,0	WSL	1260	1346	053	L8
130,0	142,2	7,1	136,0	WSL	1300	1422	071	L8
135,0	147,2	7,1	141,0	WSL	1350	1472	071	L8
140,0	152,2	7,1	146,0	WSL	1400	1522	071	L8
140,0	155,0	9,0	146,5	WSL	1400	1550	090	L8
145,0	157,2	7,1	151,0	WSL	1450	1572	071	L8
150,0	162,2	7,1	156,0	WSL	1500	1622	071	L8
160,0	172,2	7,1	166,0	WSL	1600	1722	071	L8
160,0	175,2	10,1	168,0	WSL	1600	1752	101	L8
170,0	185,2	10,1	178,0	WSL	1700	1852	101	L8
180,0	195,2	10,1	188,0	WSL	1800	1952	101	L8
180,0	200,2	10,2	183,0	WSL	1800	2002	102	L8
190,0	205,2	10,1	198,0	WSL	1900	2052	101	L8
200,0	215,2	10,1	208,0	WSL	2000	2152	101	L8
210,0	225,2	10,1	218,0	WSL	2100	2252	101	L8
220,0	235,2	10,1	228,0	WSL	2200	2352	101	L8
230,0	245,2	10,1	238,0	WSL	2300	2452	101	L8
240,0	255,2	10,1	248,0	WSL	2400	2552	101	L8
250,0	265,2	10,1	258,0	WSL	2500	2652	101	L8

Nota: altre dimensioni non a catalogo a richiesta. Consultare il nostro ufficio tecnico.

Remark: please contact our technical dept. for further dimensions not included in the catalogue.

## O-Ring Anti-Rolling®

PATENT PENDING  
NO. MI2010A001639



- 1- sezione Torica
- 2- protusioni laterali anti-rolling
- 3- notches di sfiato e anti-incollaggio

- 1- toric central Section
- 2- lateral Anti-Rolling Protusion
- 3- notches Ventil-Effect and anti-bonding

Perfettamente intercambiabile con la soluzione O-Ring + Anelli antiestrusione permette di utilizzare e tenere a stock un solo particolare.

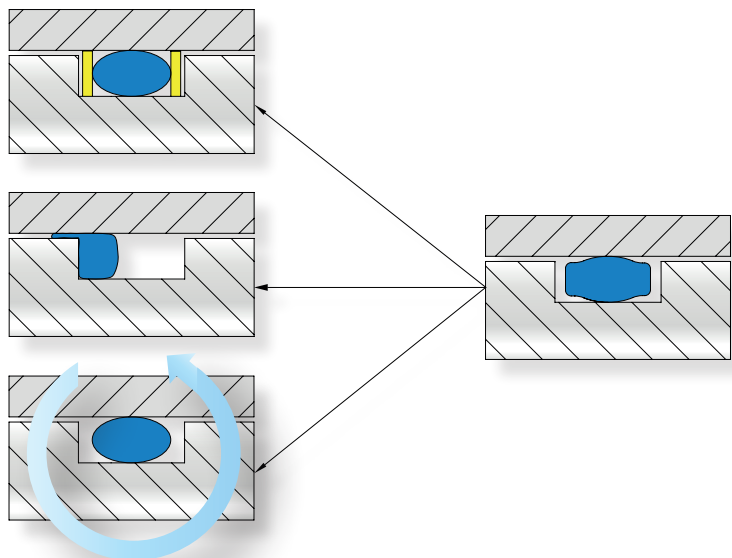
*Fully interchangeable with solution O-Ring+Backup Rings, more efficient stock manage due to use only one item.*

La sua particolare geometria garantisce la totale assenza di estrusione in quanto la superficie di tenuta rimane distante dal fondo della sede.

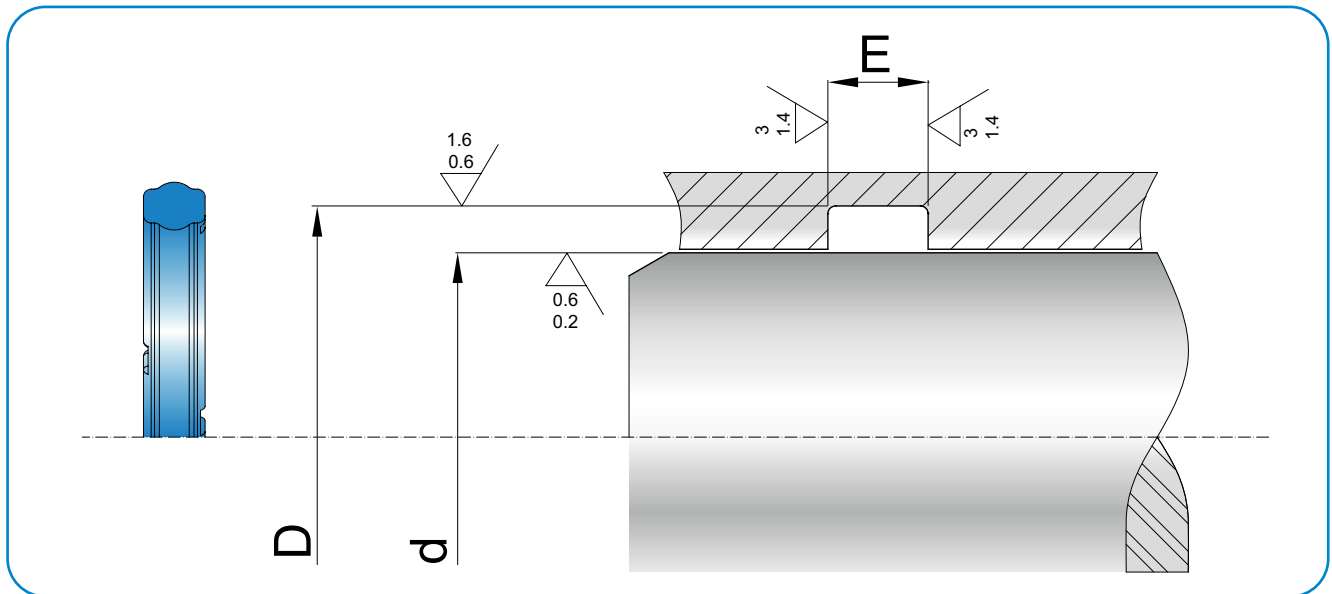
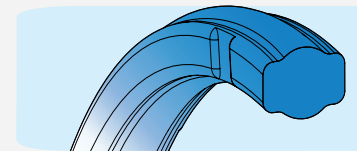
*The particular geometry ensures the complete absence of extrusion, because the the protrusions position the sealing surface away from the damaging effects of the extrusion gap.*

La protusioni laterali addossate alla sezione torica centrale realizzano l'effetto Anti-Rotolamento, esse prevengono ogni tipo di torsione sia in fase di montaggio sia in fase di esercizio.

*The lateral protusion leaned to the central toric section, realize the Anti-Rolling effect, they prevent any twisting both during intallation and exercise.*



## O-Ring Anti-Rolling®



O-Ring Antirolling in TPU		
Groove d [mm]	groove D [mm]	Groove H [mm]
18,10	22,00	3,70
24,70	28,00	2,40
45,70	49,00	2,40
40,00	43,60	2,80
62,00	65,60	2,80
71,00	76,20	5,40
94,84	101,90	4,20
109,80	115,00	5,40
155,00	159,30	3,50
158,00	162,30	3,50
222,00	227,80	4,50
254,20	260,00	4,50
235,00	240,80	4,50
300,00	306,2	4,50
318,80	325,00	4,50
340,00	346,20	4,50
370,00	363,80	4,50

O-Ring Antirolling in NBR80	
Diameter[mm]	Section [mm]
42,85	3,53
76,70	3,53
80,14	3,53
91,50	3,53
102,90	3,53
115,50	3,53
126,20	3,53
142,47	3,53
153,40	3,53
158,34	3,53
163,80	3,53
179,40	3,53
197,80	3,53

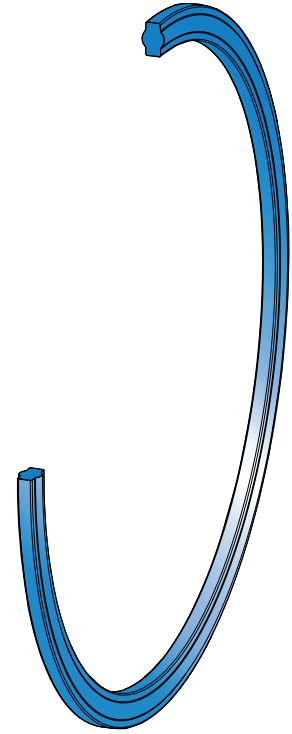
O-Ring Antirolling in FKM90 Black	
Diameter[mm]	Section [mm]
126,20	3,53
158,34	3,53

O-Ring Antirolling in FKM90 Brown	
Diameter[mm]	Section [mm]
76,70	3,53
115,50	3,53
126,20	3,53
142,47	3,53
153,40	3,53
158,34	3,53
197,80	3,53

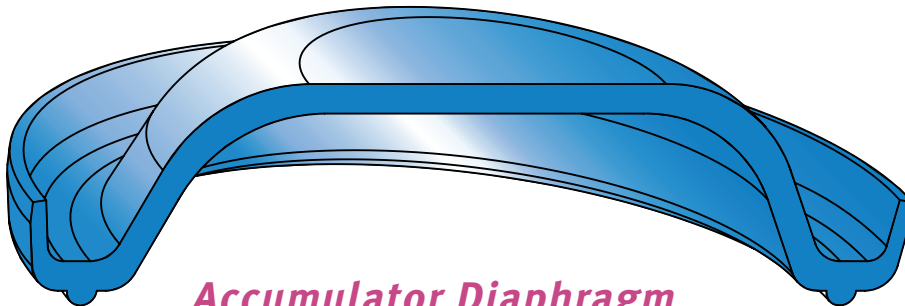
## SPECIAL ITEMS

### ARTIC SEAL:

R&D department is constantly involved in strong activity of development of innovative product design and new high performance material, for any further information or availability please contact our technical office.



*O-Ring Anti-Rolling®  
for front sealing*



*Accumulator Diaphragm*

***I prodotti Artic Seals sono distribuiti da:  
Artic Seals's products are distributed by:***

GAPI S.p.A.  
via Molinaretti, 2  
I - 24060 Castelli Calepio (BG) - Italy  
ph +39 030 7438 511  
fax +39 030 7438 550  
sales@gapigroup.com

**GAPI Group**  
**Centri di distribuzione e**  
**uffici commerciali**  
***Sales and logistic centers***

GAPI USA Inc.  
300 Huls Drive, Englewood  
Ohio, OH 45315, U.S.A.  
ph +1 800.442.4274  
gapi@gapiusa.com

GAPI Ltd  
Centurion Business Park  
Bessemer Way - Templeborough  
Rotherham - Sheffield - S60 1 FB - UK  
ph +44 (01709) 378 181  
fax +44 (01709) 378 182  
sales@gapi.co.uk

Gapi Sealing System S.L.U.  
C/ Telecomunicaciones, 21  
Polígono Industrial Urtinsa II  
28923 Alcorcón (Madrid) - E  
ph +34 918517 187  
fax +34 918517 195  
gapiss@gapiss.es

GAPI GmbH  
Hans Böckler Str. 14  
Postfach 200265 - 51503  
Rösrath - D  
ph +49 (02205) 90494-0  
fax +49 (02205) 90494-33  
verkauf@gapi.de

*www.gapigroup.com*